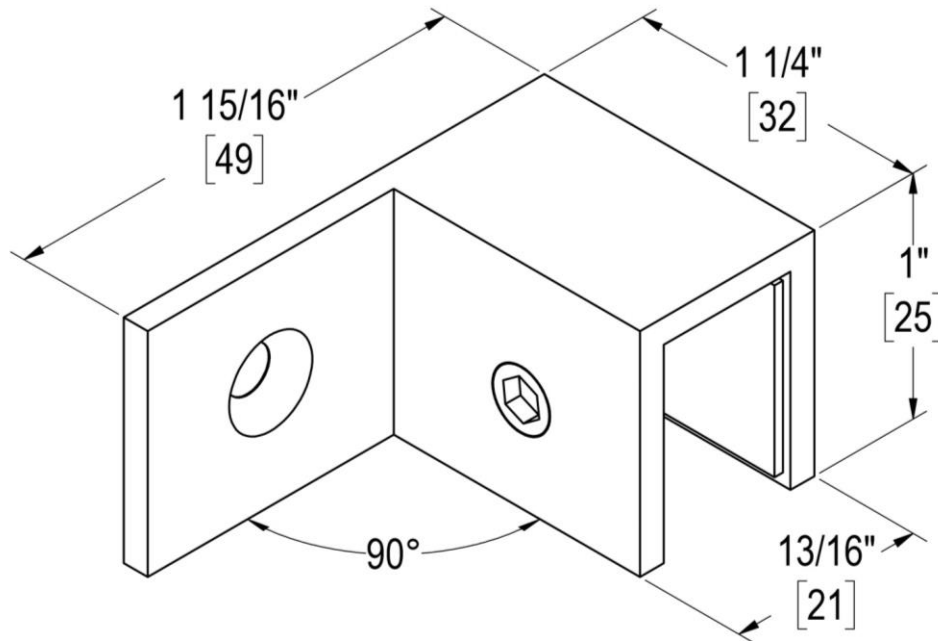


TAIGA

90° RIGHT HAND "SLEEVE OVER" WALL-GLASS CLAMP

Product Code: 00325

portals



MATERIALS

Machined brass body, stainless steel fasteners, and clear polyurethane gaskets

FUNCTION DETAILS

- Mechanically fastens glass panels to wall at a 90° angle and assists with shear forces.
- Can be used to support glass panels while silicone sealant cures.
- Requires no special glass cutouts.
- Clamp uses nylon-tipped set screw(s) to secure glass.

PRODUCT NOTES

- Item is "right-handed" as viewed from outside the shower enclosure.
- Item should only be used with tempered safety glass.
- Stationary glass panels must be supported and attached along at least two sides, but the number of clamps needed to secure a panel depends on its size and weight. Type, number, and placement of clamps should be determined by a qualified installer.

CARE & MAINTENANCE

Portals products should be cleaned with water and dried with a soft cloth. Use of harsh or abrasive chemicals may harm finish and will void the warranty.

WARRANTY

Lifetime warranty for residential use covers defects in material and workmanship of this product.

Glass Thickness
3/8" [10 mm] to 1/2" [12 mm]